

Installation and Assembly - InFocus® Lightweight Suspended Plate for Projector mounts

**Model:
SP-LTMT-PLTB**



This product is intended for use with UL Listed products and must be installed by a qualified professional installer.

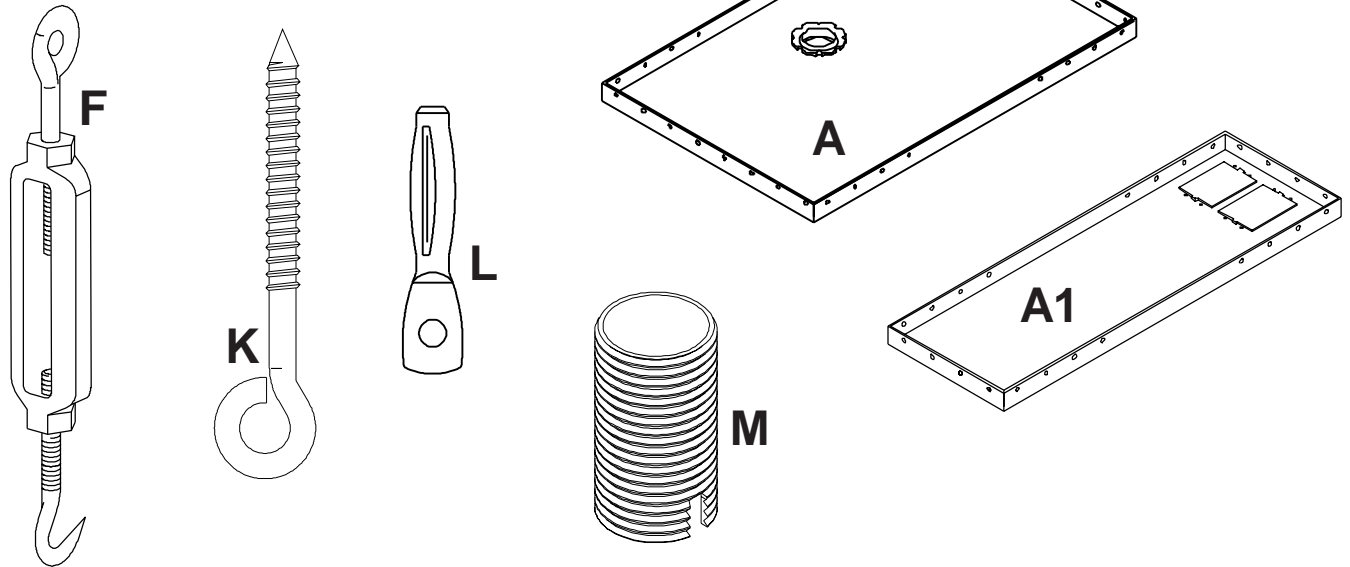
Before you start...

Please **read entire instruction sheet** and **check the parts list** to insure that all parts and fasteners have been included.

Recommended tools: Phillips screwdriver, hammer and wire cutters, drill and drill bits.

QTY.	DESCRIPTION	PART #
A	1 ceiling tray	128-2198
A1	1 filler tray	128-2207
B	4 1/4"-20 x 3/8" screws (not shown)	520-2015
C	4 1/4"-20 nuts (not shown)	530-9302
D	1 allen wrench (not shown)	560-9706
F	4 turnbuckle	560-9620
G	1 20' (6.1m) tie wire (not shown)	600-2008
K	5 eye bolt	580-0006
L	5 concrete anchor	580-0005
M	1 flush mount tube	1446-014

This Suspended Ceiling Plate is intended for use only to support model SP-CEIL-011 or other products as specified by InFocus. Combine only as specified (see specifications on page 3).



LIGHTWEIGHT SUSPENDED CEILING PLATE FOR LCD MOUNTS - SPECIFICATIONS		
Model Number	Max. Load Capacity	
	Concrete	Wood
SP-LTMT-EXTB	50 lb (23 kg)	50 lb (23 kg)
WARNING: WEIGHT OF PROJECTOR AND MOUNT NOT TO EXCEED MAXIMUM LOAD CAPACITY!		

IMPORTANT PRE-ASSEMBLY INFORMATION:

Ceiling Trays (A), and (A1) are designed to fit within or above a 24" (610 mm) x 24" (610 mm) section of a conventional suspended ceiling system. It may also be mounted within or above 24" x 48" conventional suspended ceiling. Ceiling runners (see **DETAIL 1, page 3**) should have a "T" cross section and a minimum height of 1.5" (38 mm).

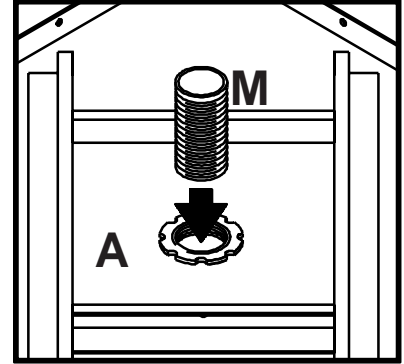
For certain installations it may be best to install ceiling anchors (**step 3**) before installing the ceiling tray (**step 2**).

1 For Mounting Above Ceiling Tile

- 1-1** Place ceiling tray (A) in grid above 24" x 24" or 24" x 48" false ceiling tile with hole to center, left, or right.
- 1-2** Place filler (A1) tray into gap.
- 1-3** Once placed where needed, through hole in ceiling tray (A), mark on false ceiling tile where hole will be.
- 1-4** Cut out 2.25" hole in false ceiling tile.
- 1-5** For flush mounting applications: From the top down, thread the flush mount tube (M) down through the retaining collar in ceiling tray (A).

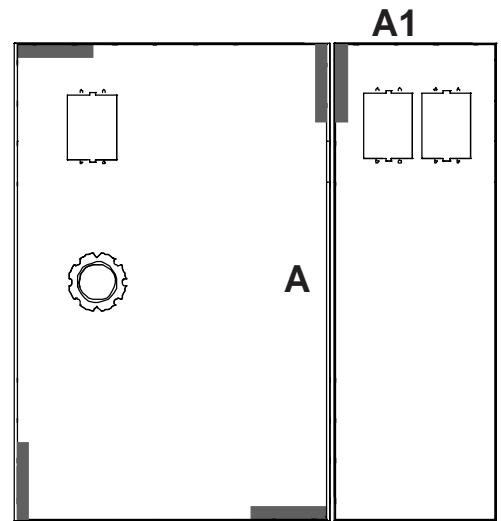
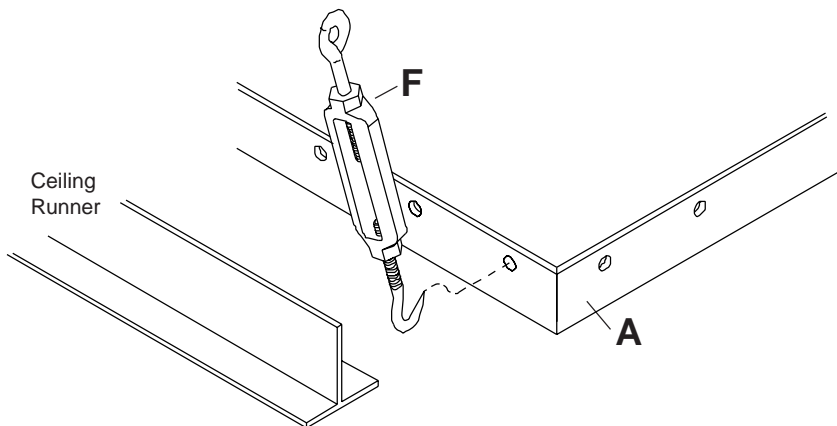
Note: Set screw included with projector mount will be installed according to the instructions provided with the mount.

- 1-6** Skip to step (2-5)



2 For Mounting in Place of Ceiling Tile

- 2-1** Remove 24" x 24" or 24" x 48" false ceiling tile.
- 2-2** If using 24" x 48" ceiling tile, cut one tile in half and add another 24" ceiling runner in order to make a 24" x 24" section.
- 2-3** Place ceiling tray (A) in 24" x 24" grid with hole to center, left, or right.
- 2-4** Place filler (A1) tray into gap.
- 2-5** Attach ceiling tray (A) to filler tray (A1) using four bolts (B) and nuts (C). Hook turnbuckles (F) into ceiling tray (A). Hook one turnbuckle through (A1) and ceiling tray (A) where indicated by black rectangles in illustration below.



TOP VIEW - CEILING TRAY
Black rectangles show correct positions for Turnbuckles.

- 3** Cut tie wire (**G**) into four pieces of equal length. Insert wires through ends of turnbuckles. Twist each wire around itself at least four times.

Drill holes for four ceiling anchors (see "Various Anchoring Methods"). Position the holes so that when the tie wires (**G**) are attached and taut, they will angle out at 15°.

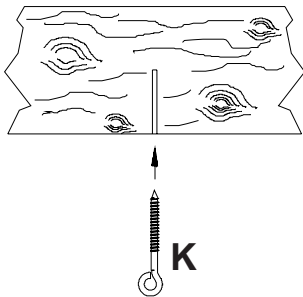
Pull tie wires tight and attach to ends of ceiling anchors (or truss). Again twist each wire around itself at least four times. When this step is complete, the weight of the ceiling tray should be supported by the tie wires.

NOTE:
20' (6.1 m) of tie wire (**G**) is provided. If space between the true ceiling and suspended ceiling is more than 36" (914 mm), additional wire (12 gauge annealed, steel, black) will be needed.

VARIOUS ANCHORING METHODS

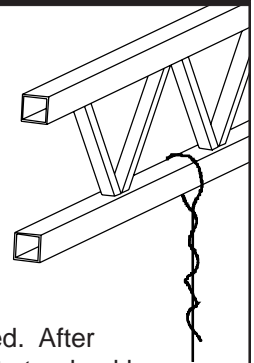
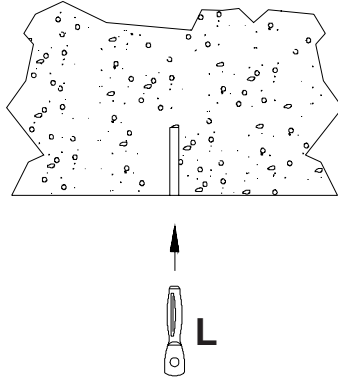
Wood Joists or Beams

Drill 5/32" (4 mm) dia. holes 2" (51 mm) deep. Fully insert eye bolts (**K**).



Solid Concrete

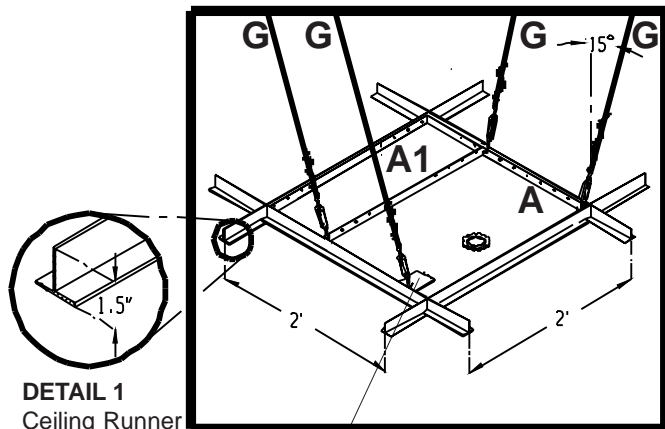
Drill 1/4" (6 mm) dia. holes 1.5" (38 mm) deep. Hammer in Concrete Anchor (**L**) using Rawl #3250 setting tool or equivalent.



Truss Ceiling

No anchor required. After attaching tie wire to turnbuckle loop upper end around ceiling truss. Pull tie wire tight and twist it around itself at least four times.

WARNING:
Never attach hooks to filler tray!



DETAIL 1
Ceiling Runner

Knockout panels are provided for electrical outlet boxes and antenna leads.

WARNING:
It is the responsibility of the installer to verify that the ceiling to which the suspended ceiling kit is anchored will safely support the combined load of all attached components (Projector Mount, Extension Column, etc.) and equipment.

- 4** Suspended Ceiling Kit installation is now complete. After all components (Projector Mount, Extension Column, etc.) and equipment have been attached, tension the tie wires by adjusting turnbuckles (**F**). **Load must be carried by tie wires - not suspended ceiling runners.**